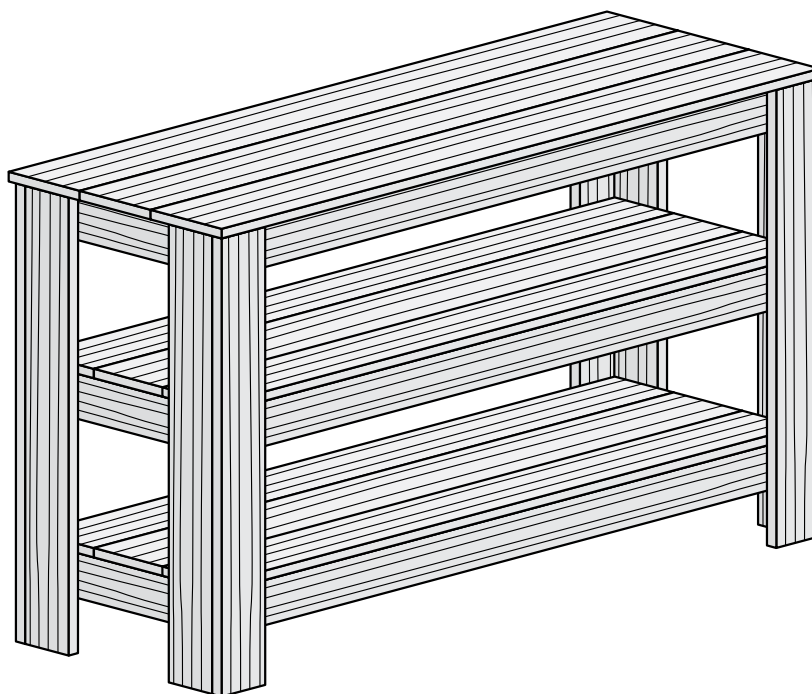




## DIY Project Plan Console Table

With UFP-Edge™ Charred Wood trim and project boards, you can easily build this console table and add a unique conversation piece to any room.



### Materials

- Eight 1" x 4" x 8' charred wood trim boards
- Five 1" x 6" x 8' charred wood project boards
- One box of #15 or #16 x 1-1/2" trim nails
- Wood glue
- Wood filler (optional)
- One pint of custom paint or stain

### Tools

- Tape measure and pencil
- Carpenter's square
- Table saw
- Hammer or Pneumatic Nailer
- Nail set (optional)
- 1" putty knife (optional)
- Fine grit sandpaper
- 1" angled trim paint or stain brush

### Difficulty Rating

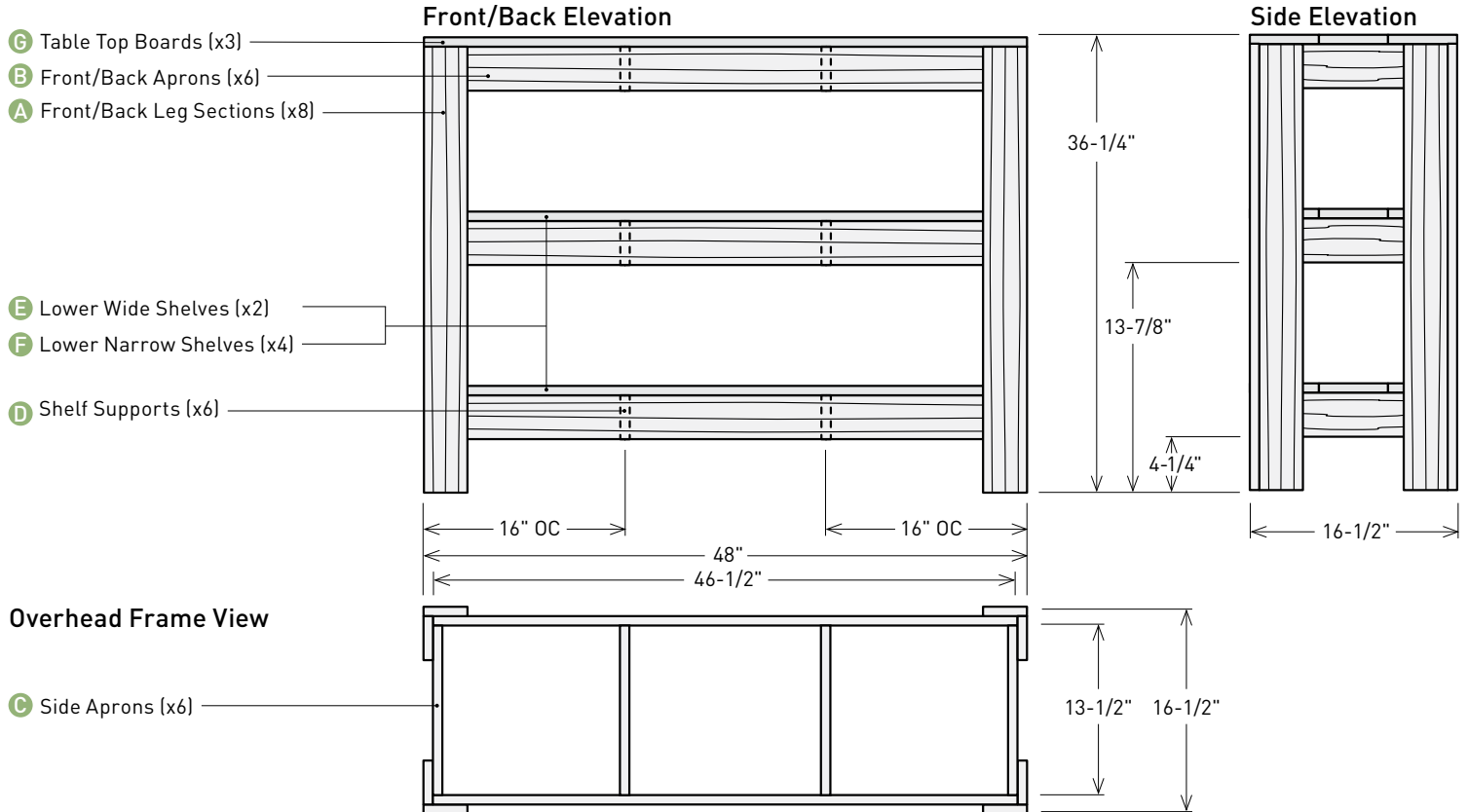


This document is for illustration purposes only. Use of this product must be in accordance with all local zoning and/or building codes. Consumer assumes all risks and liability associated with the use of this product. Warrantor does not provide any warranty, either express or implied, and shall not be liable for any damages, including consequential damages.

EDGE is a trademark of Universal Forest Products, Inc., in the U.S.  
[www.UFPEdge.com](http://www.UFPEdge.com)

©2017 Universal Forest Products.  
All rights reserved.

# Charred Wood Console Table



## Cut All Components to Size Prior to Assembly

**Caution:** Always wear gloves, a dust mask and eye protection when sawing, sanding or machining wood.

Using a table saw with a trim blade on a clean, flat, level surface, cut the UFP-Edge™ Charred Wood for the components of the console table as follows.

**Tip** Measure and cut the boards to fit your project. The measurements given are for a perfect build and you may find your project off a little bit. So on all trim and project board pieces, measure each to fit while using the following cut list as an approximate initial measurement.

### From each of six 1" x 4" x 8' trim boards:

- A** (1) Front/Back Leg Section at 1" x 4" x 35-1/2"
- B** (1) Front/Back Apron at 1" x 4" x 46-1/2"
- C** (1) Side Apron at 1" x 4" x 13-1/2"

### From each of two 1" x 4" x 8' trim boards:

- A** (1) Front/Back Leg Section at 1" x 4" x 35-1/2"
- D** (3) Shelf Supports at 1" x 4" x 13-1/2"

### From each of two 1" x 6" x 8' boards:

- E** (1) Lower Wide Shelf at 1" x 6" x 46-1/2"
- G** (1) Table Top at 1" x 6" x 48"

### From one 1" x 6" x 8' board:

- G** (1) Table Top at 1" x 6" x 48"

### From each of two 1" x 6" x 8' boards:

- (2) 1" x 6" x 46-1/2" then rip each lengthwise to
- F** (2) Lower Narrow Shelves at 1" x 4-3/4" x 46-1/2"

# Charred Wood Console Table

## General Assembly Advice

- Establish a fastening pattern to enhance the overall look and feel of the final assembled product.
- Two nails should be placed approximately 1" from each edge on 5-1/2" wide boards and 1/2-3/4" on 3-1/2" wide trim boards. Two nails per connection should always be used.
- Apply wood glue to all joining-material surfaces before attaching the pieces together with trim nails.
- Use a carpenter's square to check the construction after each step to make sure the components are square.

### 1 Build Legs

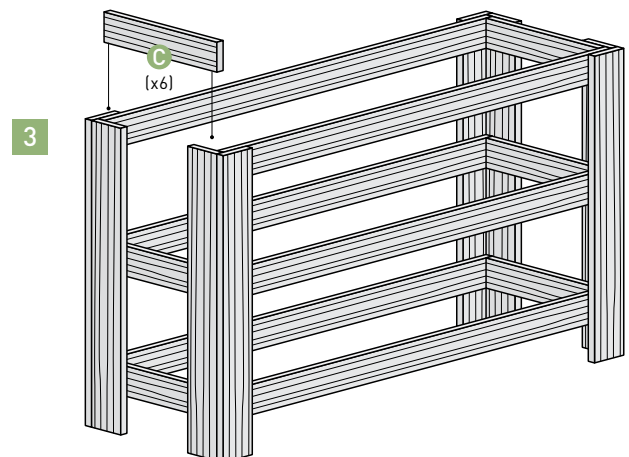
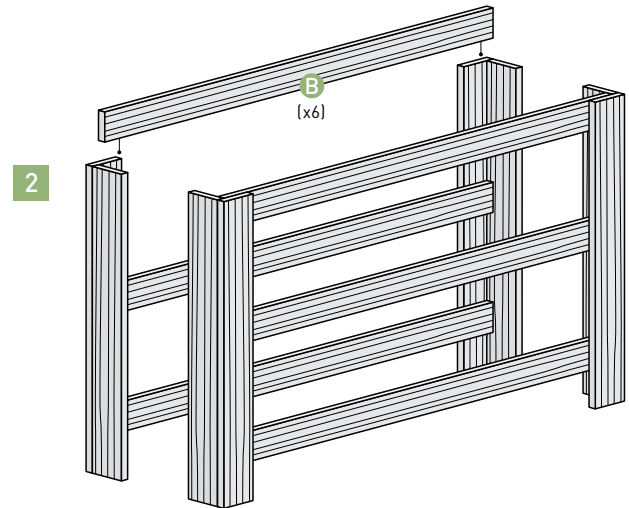
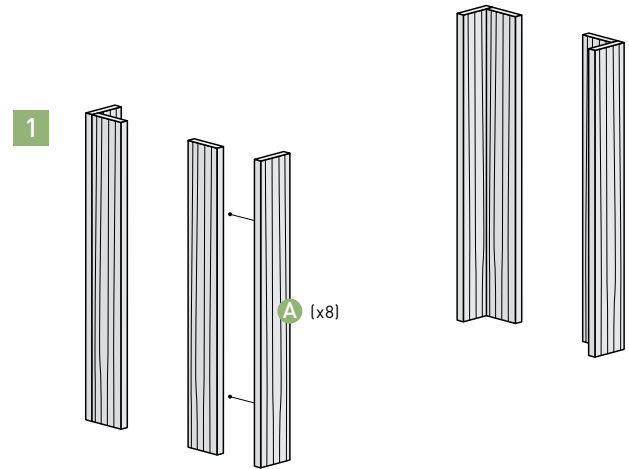
- Align two leg pieces forming a 90° angle along the outside edge and attach together using 1-1/2" trim nails.
- Repeat the above process for aligning and attaching the other three leg sections.

### 2 Attach Back and Front Aprons

- Start with the top apron and attach it to the inside of two back leg sections using 1-1/2" trim nails. Make sure the top surfaces of the boards are flush.
- Measure and mark a line 18-1/8" up from the inside bottom of the two back leg sections. Align the bottom edge of the middle apron with the marked lines and attach it to the inside of the two back leg sections using 1-1/2" trim nails.
- Measure and mark a line 4-1/4" up from the inside bottom of the two back leg sections. Align the bottom edge of the bottom apron with the marked lines and attach it to the inside of the two back leg sections using 1-1/2" trim nails.
- Repeat the above process for aligning and attaching the three front aprons to the inside of the two front leg sections.

### 3 Attach Side Aprons

- Start with the right side and attach three side aprons to the inside of two leg sections using 1-1/2" trim nails. Make sure the top surfaces of the back, side and front aprons are flush.
- Repeat the above process for aligning and attaching the three remaining side aprons to the inside of the two leg sections on the left side.



# Charred Wood Console Table

## 4 Attach Shelf Supports

- Refer to Front/Back Elevation on page 2. Measure and mark a line on the top edge of each apron that is 16" OC from the outside of both front and back leg sections.
- Start with the bottom aprons and place and center align two shelf support pieces. Attach the shelf supports to the inside of the apron using 1-1/2" trim nails. Make sure the top surfaces of the support pieces and the aprons are flush.
- Repeat the above process for aligning and attaching the four remaining middle and top shelf supports to the inside of the middle and top aprons.

## 5 Attach Lower and Middle Shelves

- Start with the bottom shelf assembly and place one 1" x 4-3/4" x 46-1/2" lower narrow shelf on top of the bottom and side aprons so that it butts up to the inside of two leg sections. Attach it to the three aprons and two shelf supports it overlaps using 1-1/42" trim nails.
- Place and butt one 1" x 6" x 46-1/2" lower wide shelf next to the lower narrow shelf. Attach it to the two aprons and two shelf supports it overlaps using 1-1/2" trim nails.
- Place and butt the remaining 1" x 4-3/4" x 46-1/2" lower narrow shelf next to the lower wide shelf. Make sure the shelf also butts up to the inside of two leg sections. Attach it to the three aprons and two shelf supports it overlaps using 1-1/2" trim nails.
- Repeat the above process for placing, butting and attaching the three middle shelf pieces to the aprons and shelf supports they overlap.

## 6 Attach Top Shelves

- Start with the outside edge of the top shelf assembly and place one 1" x 6" x 48" top shelf piece on top of the aprons and shelf supports. Make sure all three edges are flush with the outside edges of the frame. Attach it to the three aprons and two shelf supports it overlaps using 1-1/2" trim nails.
- Place and butt another 1" x 6" x 48" top shelf piece next to the first attached top shelf piece. Attach it to the two aprons and two shelf supports it overlaps using 1-1/2" trim nails. Make sure all edges are flush with each other.
- Place and butt the remaining 1" x 6" x 48" top shelf piece next to the previously attached top shelf piece. Attach it to the three aprons and two shelf supports it overlaps using 1-1/2" trim nails. Make sure all edges are flush with each other.

## 7 Finish Console Table

- Use a nail set to recess any protruding nail heads. Fill set nail-head areas with wood filler and allow to dry.
- Use fine-grit sandpaper and lightly sand the wood filler and the exposed cut edges of trim and project boards.
- Paint or stain the putty and any exposed areas with a 1" angle trim paint or stain brush and a color-matched paint or stain.

